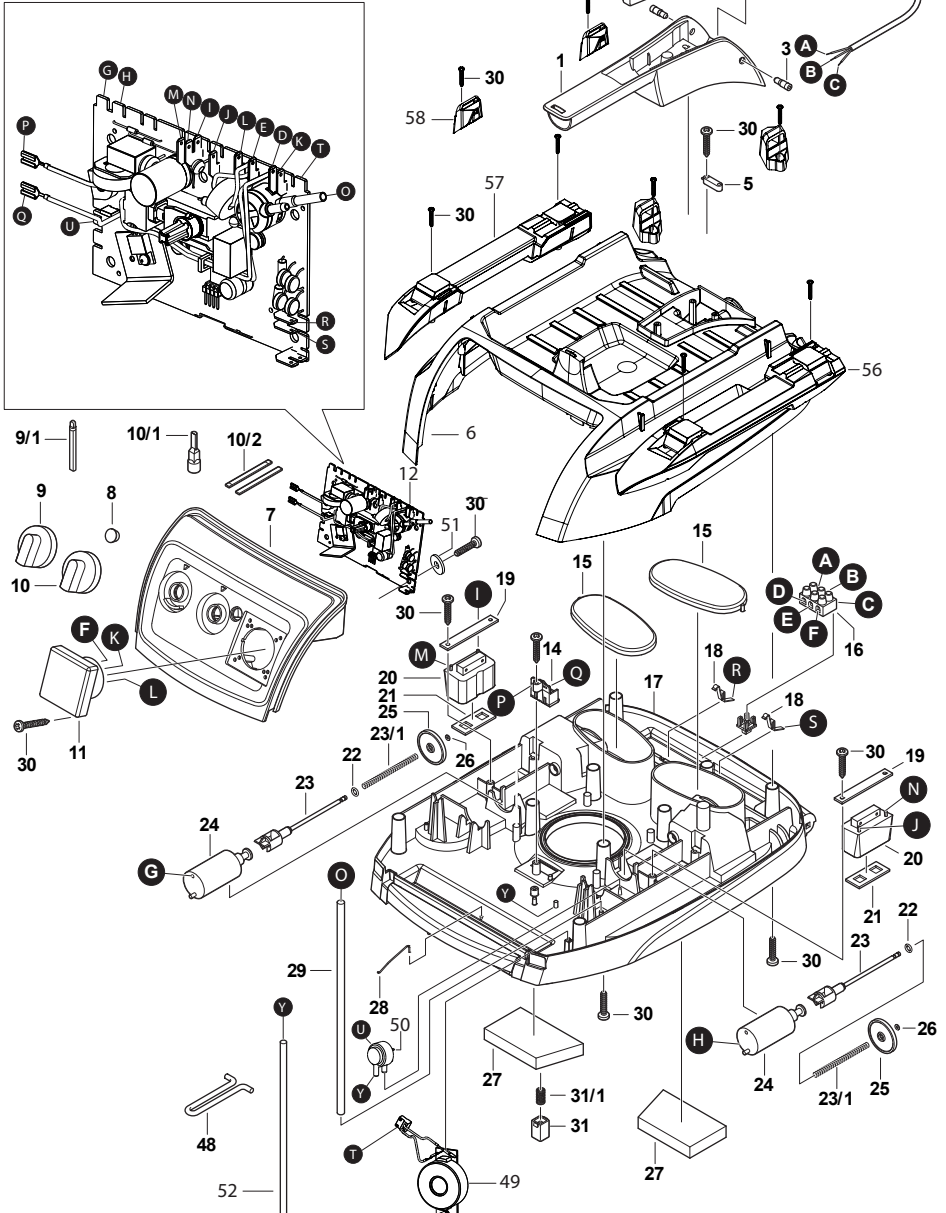


Explosionszeichnung

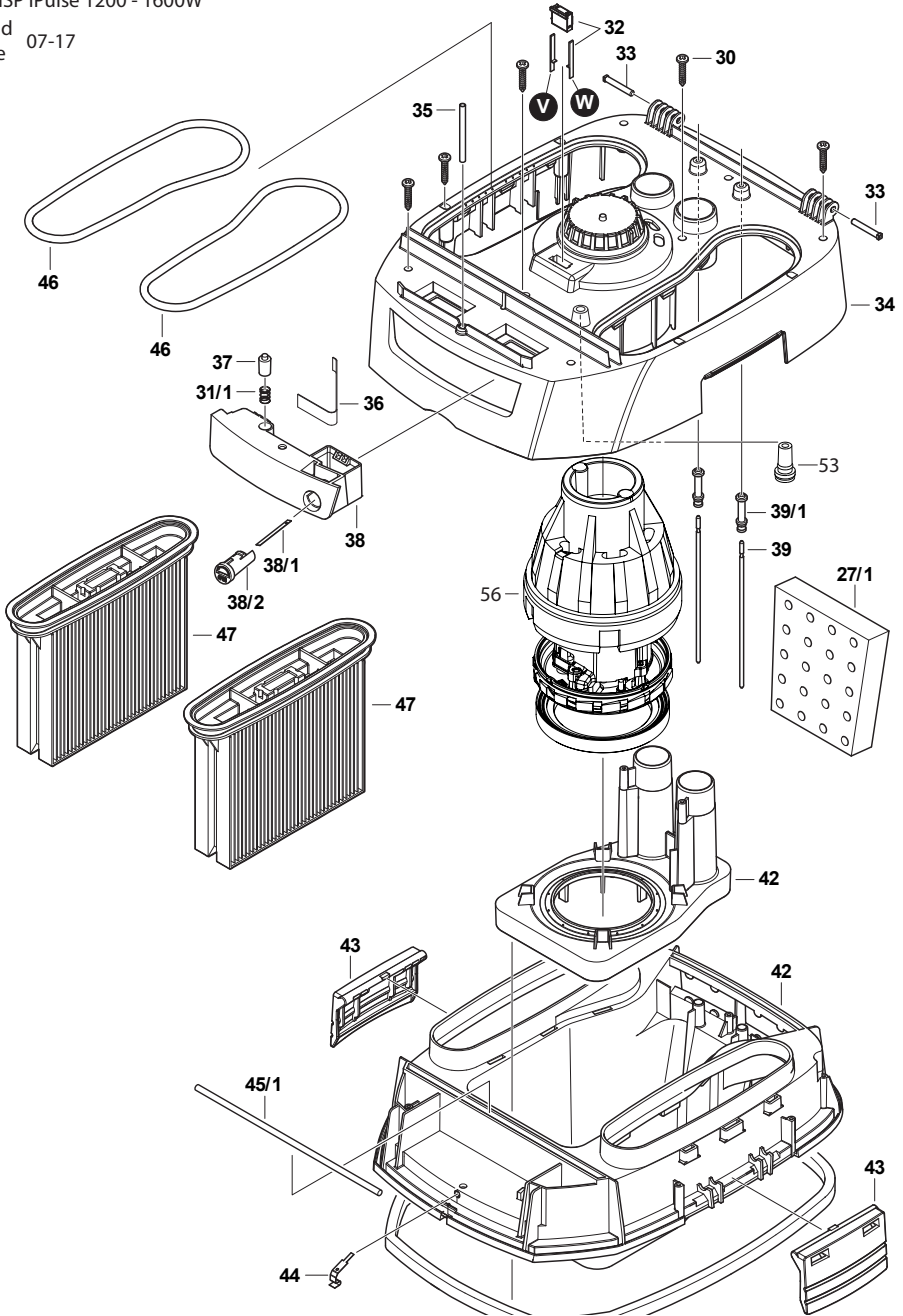
Typ ISP iPulse 1200 - 1600W

Stand 07 -17
Issue



| Ersatzteile / Spare Parts | | Stand / Issue: 17-08 |
|------------------------------------|-------------------------|----------------------|
| A - iPulse L-1635 Premium | (018652) | |
| B - iPulse L-1635 Top | (018621) | |
| C - iPulse M-1635 Safe Plus | (018638) | |
| D - iPulse H-1635 Safe Plus | (018614) | |
| E - iPulse H-1235 Asbest Safe Plus | (018645) | |
| F - iPulse L-1635 Basic | (018539) | |
| G - iPulse M-1635 Safe | (018935) | |
| Pos.-Nr. / Item No. | Bestell-Nr. / Order No. | Typ / Type |
| 01+02+03 | 407937 | A-G |
| 04+05+16+30 | 444666 | A/B/F |
| 04+05+16+30 | 444819 | C/D/E/G |
| 06 | 444673 | A-G |
| 56+57+30 | 445106 | A-E |
| 58+30 | 444697 | F/G |
| 07+08 | 444703 | A-G |
| "09+10+9/1+10/1+10/2" | 444710 | A-G |
| 11+30 | 444727 | A-G |
| "12+29+30+50+51+52" | 444734 | A/B/F |
| "12+29+30+50+51+52" | 444741 | C/D/E/G |
| 14 | 417707 | A-G |
| 17 | 444758 | A-G |
| 18+28+44 | 444765 | A-G |
| 19+20+21+30 | 444772 | A-G |
| "15+22+23+23/1+25+26" | 444789 | A-G |
| 24 | 444796 | A-G |
| 27+27/1 | 408200 | A-G |
| 30 | 408705 | A-G |
| 31+31/1+48+30 | 444826 | A-G |
| 31/1+35+36+37 | 444833 | A-G |
| 38+38/1+38/2 | | A-G |
| 32 | 417714 | A-G |
| 33 | 408224 | A-G |
| 34 | 444802 | A-G |
| 39+39/1 | 408767 | A-G |
| 42+30 | 444932 | A-G |
| 43 | 408293 | A-G |
| 45+45/1+46+53 | 444680 | A-G |
| 47 | 416069 | A/B/C/F/G |
| 47 | 419190 | D/E |
| 56 | 444901 | E |
| 56 | 444918 | A/B/C/D/F/G |
| 49 | 444840 | C/D/E/G |
| Label iPulse L/M | 444857 | A/B/C/F/G |
| Label iPulse H | 444871 | D/E |
| Label Asbestos | 444864 | E |

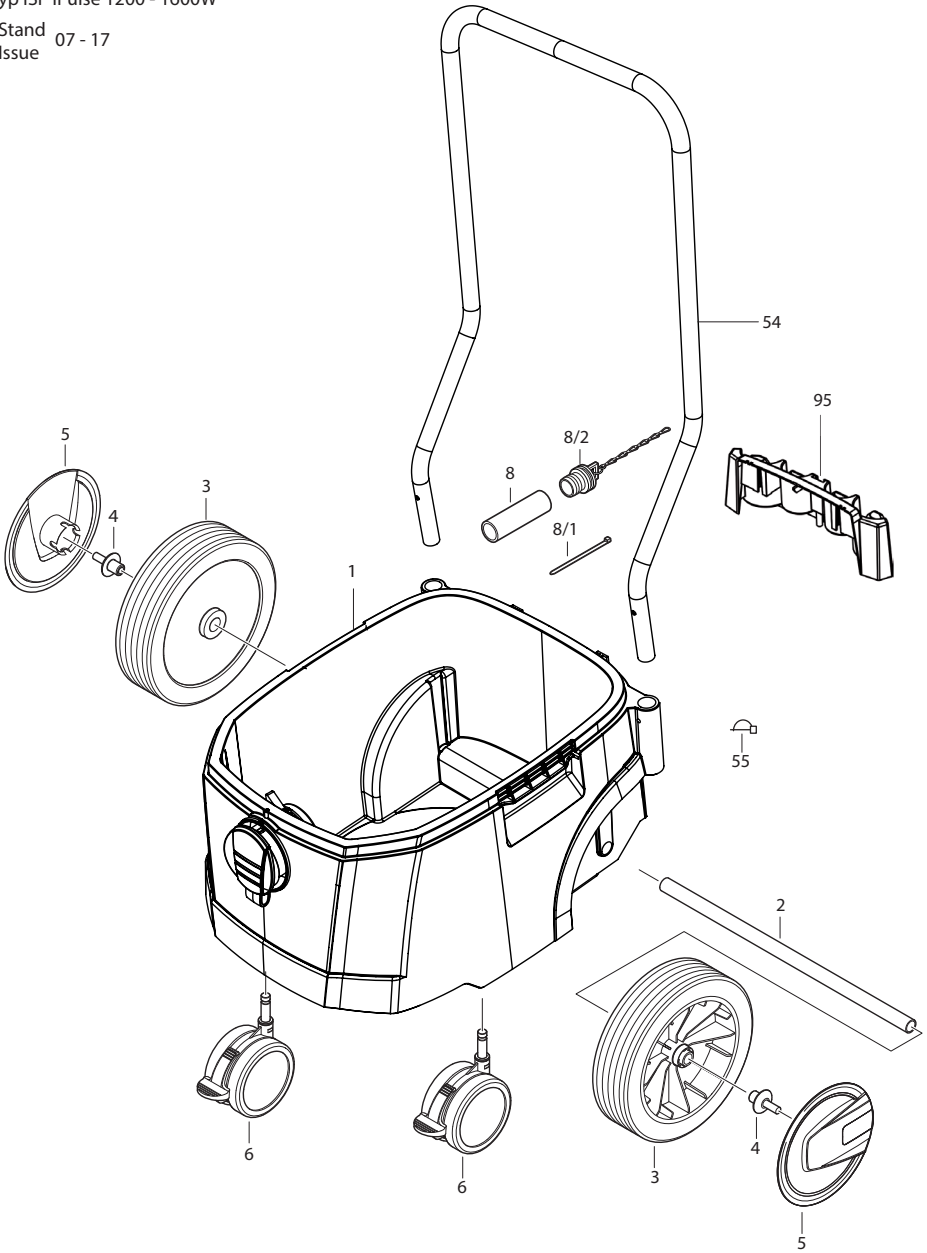
Typ ISP iPulse 1200 - 1600W
Stand
Issue 07-17



| Ersatzteile / Spare Parts | | Stand / Issue: 17-08 |
|------------------------------------|-------------------------|----------------------|
| A - iPulse L-1635 Premium | (018652) | |
| B - iPulse L-1635 Top | (018621) | |
| C - iPulse M-1635 Safe Plus | (018638) | |
| D - iPulse H-1635 Safe Plus | (018614) | |
| E - iPulse H-1235 Asbest Safe Plus | (018645) | |
| F - iPulse L-1635 Basic | (018539) | |
| G - iPulse M-1635 Safe | (018935) | |
| Pos.-Nr. / Item No. | Bestell-Nr. / Order No. | Typ / Type |
| 01+02+03 | 407937 | A-G |
| 04+05+16+30 | 444666 | A/B/F |
| 04+05+16+30 | 444819 | C/D/E/G |
| 06 | 444673 | A-G |
| 56+57+30 | 445106 | A-E |
| 58+30 | 444697 | F/G |
| 07+08 | 444703 | A-G |
| "09+10+9/1+10/1+10/2" | 444710 | A-G |
| 11+30 | 444727 | A-G |
| "12+29+30+50+51+52" | 444734 | A/B/F |
| "12+29+30+50+51+52" | 444741 | C/D/E/G |
| 14 | 417707 | A-G |
| 17 | 444758 | A-G |
| 18+28+44 | 444765 | A-G |
| 19+20+21+30 | 444772 | A-G |
| "15+22+23+23/1+25+26" | 444789 | A-G |
| 24 | 444796 | A-G |
| 27+27/1 | 408200 | A-G |
| 30 | 408705 | A-G |
| 31+31/1+48+30 | 444826 | A-G |
| 31/1+35+36+37 | 444833 | A-G |
| 38+38/1+38/2 | | A-G |
| 32 | 417714 | A-G |
| 33 | 408224 | A-G |
| 34 | 444802 | A-G |
| 39+39/1 | 408767 | A-G |
| 42+30 | 444932 | A-G |
| 43 | 408293 | A-G |
| 45+45/1+46+53 | 444680 | A-G |
| 47 | 416069 | A/B/C/F/G |
| 47 | 419190 | D/E |
| 56 | 444901 | E |
| 56 | 444918 | A/B/C/D/F/G |
| 49 | 444840 | C/D/E/G |
| Label iPulse L/M | 444857 | A/B/C/F/G |
| Label iPulse H | 444871 | D/E |
| Label Asbestos | 444864 | E |

Typ ISP iPulse 1200 - 1600W

Stand
Issue 07 - 17



| Ersatzteile / Spare Parts | | Stand / Issue: 17-08 |
|------------------------------------|-------------------------|----------------------|
| A - iPulse L-1635 Premium | (018652) | |
| B - iPulse L-1635 Top | (018621) | |
| C - iPulse M-1635 Safe Plus | (018638) | |
| D - iPulse H-1635 Safe Plus | (018614) | |
| E - iPulse H-1235 Asbest Safe Plus | (018645) | |
| F - iPulse L-1635 Basic | (018539) | |
| G - iPulse M-1635 Safe | (018935) | |
| Pos.-Nr. / Item No. | Bestell-Nr. / Order No. | Typ / Type |
| "01+02+03+04+05+06" | 444888 | A-G |
| 02+03+04+05 | 444895 | A-G |
| 06 | 408408 | A-G |
| 08+08/1+08/2 | 408958 | A-G |
| 95 | 445113 | A-G |
| 54+55 | 445137 | A-G |